

Product Highlights

Full HD Image Quality and Detail

A high-resolution megapixel sensor provides 1080P Full HD resolution images and video to ensure that you capture the details you need

Vandal Resistant Outdoor Surveillance

With both IK10 and IP66 ratings, the DCS-6210BS is ideal for deployment in difficult and extreme environments

Smoked Dome Cover

Offers an additional degree of surveillance by hiding the direction where the lens is actually pointing

Precision Positioning

Seating the lens on 3-individually adjustable axis means you can position the lens to get a perfect field of view



DCS-6210BS

Full HD Vandal-Resistant Mini Fixed Smoked Dome Network Camera

Key Features

Camera

- 1/2.7" 2 megapixel progressive CMOS sensor
- Megapixel Fixed lens: 4.3 mm F2.0
- Built-in microphone
- IP-66 weather proof certified
- IK-10 vandal proof certified
- Smoked dome cover
- ONVIF compliant

Connections

- 10/100 Fast Ethernet port with PoE
- Micro SD/SDHC Card slot for onboard storage

Image & Video

- Real-time H.264/ MPEG-4/ MJPEG
- Max. resolution 1920x1080 at 15 fps
- Simultaneous streams
- ePTZ for virtual PTZ operation
- Motion detection
- Privacy mask
- Multicast video/audio stream
- Samba client for NAS
- Multiple access lists

The DCS-6210BS Full HD Vandal-Resistant Mini Fixed Smoked Dome Network Camera is an industry rated vandal proof and weatherproof camera suited for deployment in a wide range of difficult locations. Furthermore, the smoked dome offers an additional degree of surveillance by hiding the direction where the lens is actually pointing without affecting picture quality.

Built for Tough Environments

The DCS-6210BS has a toughened metal, industry-certified IK-10 (vandal-proof) and IP-66 (weather-proof) housing, specially designed for use in harsh environments. Specifically built to withstand sudden high impact and adverse weather conditions.

Flexible Installation

The DCS-6210BS carries a Power over Ethernet (PoE) port which allows you to connect the camera to your network and power it through a single cable. This both, expands and simplifies your options by doing away with the need for a nearby power outlet, making installation on ceilings much easier.

Surveillance in Full High Definition

The DCS-6210BS is built with a megapixel image sensor to give you high-quality snapshots and video with resolutions up to 1080P HD. This gives you sharp, high-resolution pictures and videos with rich detail.

Get a closer look with ePTZ, which lets you zoom in, zoom out, and pan across your camera's video so you can survey a large area easily.

A Complete, Expandable Surveillance Solution

The DCS-6210BS is a self-sufficient surveillance solution, capable of recording snapshots and video to a MicroSD card without requiring a PC or network storage device.

If you want to expand your surveillance options, D-ViewCam™ management software is also included, giving you the ability to manage up to 32 cameras with a robust set of features, including multi-camera views and automated e-mail alerts to keep you informed of suspicious or unusual activities.

Full HD Vandal-Resistant Mini Fixed Smoked Dome Network Camera

Built for Versatility

The DCS-6210BS comes with a wealth of features that enhance its surveillance capabilities, making it ideal for any situation. Its 3 axis lens mounting allows you to position it perfectly, while its motion detection capabilities allow it to automatically record video and send you a notification when motion is detected.

Backlight Compensation

Allows every detail to be captured accurately even if one portion is bright while other portions are dark to deliver high quality images.



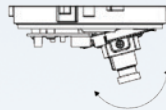
Backlight Off



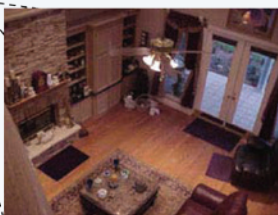
Backlight on

3-Axis Mechanism

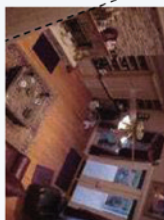
DCS-6210BS supports 3 axis mechanism for horizontal, vertical and rotate adjustment to achieve the view you want.



For ceiling installation



Installation on a wall



D-Link Assist Rapid Response Support

If the worst should happen to your network you need the very best support and fast. Downtime costs your business money. D-Link Assist maximises your uptime by solving technical problems quickly and effectively. Our highly trained technicians are on standby around the clock, ensuring that award-winning support is only a phone call away.

With a choice of three affordable service offerings covering all D-Link business products, you can select the package that suits you best:

D-Link Assist Gold - for comprehensive 24-hour support

D-Link Assist Gold is perfect for mission-critical environments where maximum uptime is a high priority. It guarantees four hour around-the-clock response. Cover applies 24/7 for every day of the year including holidays.

D-Link Assist Silver - for prompt same-day assistance

D-Link Assist Silver is designed for 'high availability' businesses that require rapid response within regular working hours. It provides a four hour response service Monday to Friday from 8am to 5pm, excluding holidays.

D-Link Assist Bronze - for guaranteed response on the next business day

D-Link Assist Bronze is a highly cost-effective support solution for less critical environments. Response is guaranteed within eight business hours Monday to Friday from 8am to 5pm, excluding holidays.

D-Link Assist can be purchased together with any D-Link business product. So whether you're buying switching, wireless, storage, security or IP Surveillance equipment from D-Link, your peace of mind is guaranteed. D-Link Assist also offers installation and configuration services to get your new hardware working quickly and correctly.

Full HD Vandal-Resistant Mini Fixed Smoked Dome Network Camera

Technical Specifications

Camera

Camera Hardware Profile	<ul style="list-style-type: none"> • 1/2.7" 2 Megapixel progressive CMOS sensor • Fixed Lens, focal length 4.3 mm, aperture F2.0 • 10x digital zoom 	<ul style="list-style-type: none"> • Angle of view: <ul style="list-style-type: none"> • (H) 79° • (V) 43° • (D) 90°
Camera Housing	<ul style="list-style-type: none"> • IP-66 weather-proof compliant 	<ul style="list-style-type: none"> • IK-10 vandal-proof compliant
Image Features	<ul style="list-style-type: none"> • Configurable image size, quality, frame rate, and bit rate • Time stamp and text overlays • Configurable motion detection windows 	<ul style="list-style-type: none"> • Configurable privacy mask zones • Configurable white balance, brightness, saturation, contrast, sharpness, and BLC
Video Compression	<ul style="list-style-type: none"> • Simultaneous H.264/MPEG-4/MJPEG format compression • H.264/MPEG-4 multicast streaming 	<ul style="list-style-type: none"> • JPEG for still images
Video Resolution	<ul style="list-style-type: none"> • 16:9 - 1920 x 1080 (up to 15 fps) 1280 x 800, 1280 x 720, 800 x 450, 640 x 360, 480 x 270, 320 x 176, 176 x 144 up to 30 fps recording¹ 	<ul style="list-style-type: none"> • 4:3 - 1440 x 1080 (up to 25 fps) 1024 x 768, 800 x 600, 640 x 480, 480 x 360, 320 x 240, 176 x 144 up to 30 fps recording¹
Audio Support	<ul style="list-style-type: none"> • G.726 	<ul style="list-style-type: none"> • G.711
External Device Interfaces	<ul style="list-style-type: none"> • 10/100 BASE-TX Fast Ethernet port • Supports 802.3af PoE 	<ul style="list-style-type: none"> • MicroSD/SDHC card slot • 12 VDC, 100 mA Output

Network

Network Protocols	<ul style="list-style-type: none"> • IPv6 • IPv4 • TCP/IP • UDP • ICMP • DHCP client • NTP client (D-Link) • DNS client • DDNS client (D-Link) • SMTP client • FTP client 	<ul style="list-style-type: none"> • HTTP / HTTPS • Samba client • PPPoE • UPnP port forwarding • RTP / RTSP / RTCP • IP filtering • QoS • CoS • Multicast • IGMP • ONVIF compliant
Security	<ul style="list-style-type: none"> • Administrator and user group protection • Password authentication 	<ul style="list-style-type: none"> • HTTP and RTSP digest encryption

Full HD Vandal-Resistant Mini Fixed Smoked Dome Network Camera

Technical Specifications

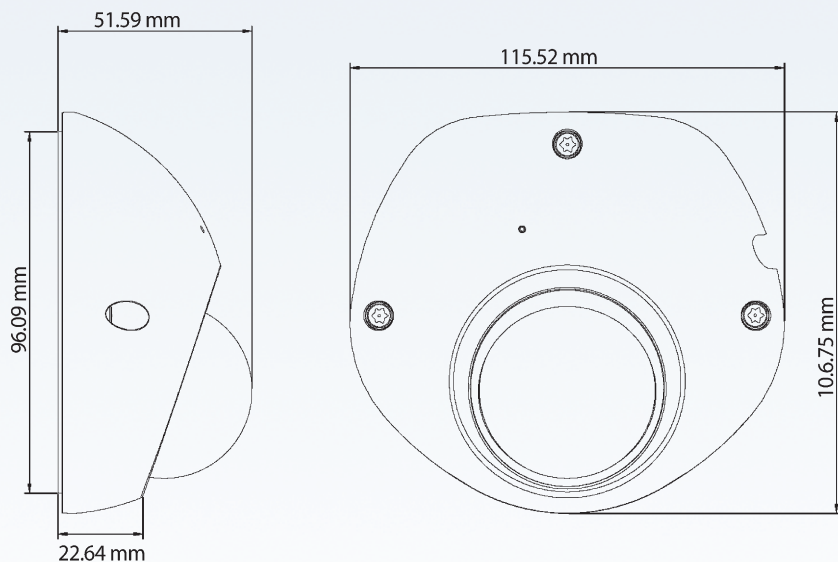
System Management

System Requirements for Web Interface	• Browser: Internet Explorer, Firefox, Safari, Chrome	
Event Management	• Motion detection • Event notification and uploading of snapshots/video clips via e-mail or FTP	• Supports multiple SMTP and FTP servers • Multiple event notifications • Multiple recording methods for easy backup
Remote Management	• Take snapshots/video clips and save to local hard drive or NAS via web browser	• Configuration interface accessible via web browser
D-ViewCam™ System Requirements	• Operating System: Microsoft Windows 7/Vista/XP • Web Browser: Internet Explorer 7 or higher	• Protocol: Standard TCP/IP
D-ViewCam™ Software Functions	• Remote management/control of up to 32 cameras • Viewing of up to 32 cameras on one screen • Scheduled motion triggered, or manual recording options	• Supports all management functions in web interface

Physical

Weight	• 412.2 g ± 5%	
Power Consumption	• 7.8 watts ± 5%	
Temperature	• Operating: -25 to 50 °C (-22 to 122 °F)	• Storage: -20 to 70 °C (-4 to 158 °F)
Humidity	• Operating: 20% to 80% non-condensing	• Storage: 5% to 95% non-condensing
Certifications	• CE • CE LVD	• FCC • C-Tick

Dimensions



For more information: www.dlink.com

D-Link European Headquarters. D-Link (Europe) Ltd., D-Link House, Abbey Road, Park Royal, London, NW10 7BX. Specifications are subject to change without notice. D-Link is a registered trademark of D-Link Corporation and its overseas subsidiaries. All other trademarks belong to their respective owners. ©2012 D-Link Corporation. All rights reserved. E&OE.

Updated August 2014